

COFFEE DISPENSERS



models:

JAVA GIANT 2

JAVA GIANT 3

JAVA SELF SERVE

JAVA JR - PC (Portion Control)

Operational Manual

- Specifications.....2
- Installation.....3
- Start-up Instructions.....3
- Adjustments.....4
- Component Description....7
- Parts Identification.....9
- Wiring Diagram.....12

Cecilware sells value... Worldwide

Cecilware Corporation

43-05 20th Avenue, Long Island City, NY 11105

Tel: 718-932-1414

1-800-935-2211

Fax: 718-932-7860

E-Mail: customer.service@cecilware.com



ELECTRICAL SPECIFICATIONS

MODEL NO:	PHASE:	VOLTS:	TOTAL KW	NO. OF HEATERS	AMPS	HZ.	RECEPTACLE NEMA	CIRCUIT BREAKER
JAVA GIANT 2 (USA & CANADA)	1 PHASE	120	1.7	1	15	60	L-5-15	15A
JAVA GIANT 2 (USA & CANADA)	1 PHASE	230	6	3	26	60	L6-30R	30A
	1 PHASE	230	9	3	39	60	HARDWIRED	50A
	1 PHASE	230	18	3	78	60	HARDWIRED	100A
	3 PHASE	230	18	3	45	60	HARDWIRED	60A

UNITS OVER 30 AMPS MUST BE HARDWIRED. CORDS NOT SUPPLIED. FOR ALTERNATIVE WIRING METHODS, SEE HEATER POWER WIRING DIAGRAM.

MECHANICAL SPECIFICATIONS

MODEL NO:	WIDTH IN	DEPTH IN	HIGHT IN	HOPPERS QTY	LB. COFFEE	TANK GAL.	ART AREA IN	SHIPPING WEIGHT LB.
JAVA GIANT 2 (USA & CANADA)	14.125	24.25	40.5	2	5.25	7.5	13.75 x 16.75	155
JAVA GIANT 3 (USA & CANADA)	20.375	24.25	40.25	3	5.25	10.5	20 x 16.75	195

Height: add 4" for legs; Depth: add 2" for clearance for waterline hookup;

FAST START UP PROCEDURE

Water Inlet Connection

This equipment is to be installed to comply with the applicable Federal, State, or local plumbing codes having jurisdiction. In addition:

1. A quick disconnect water connection or enough extra coiled tubing (at least 2x the depth of the unit) so that the machine can be moved for cleaning underneath.
2. An approved back flow prevention device, such as a double check valve to be installed between the machine and the water supply.

The JAVA GIANT 2/3 (USA and CANADA) is equipped with a **3/8"** Flare Water Inlet Fitting.

HIGHLY RECOMMENDED:

A WATER SHUT-OFF VALVE and A WATER FILTER, preferably a combination Charcoal/Phosphate Filter, to remove odors and inhibit lime and scale build up in the machine. Note: In areas with extremely hard water, a water softener must be installed in order to prevent a malfunctioning of the equipment and in order not to void the warranty.

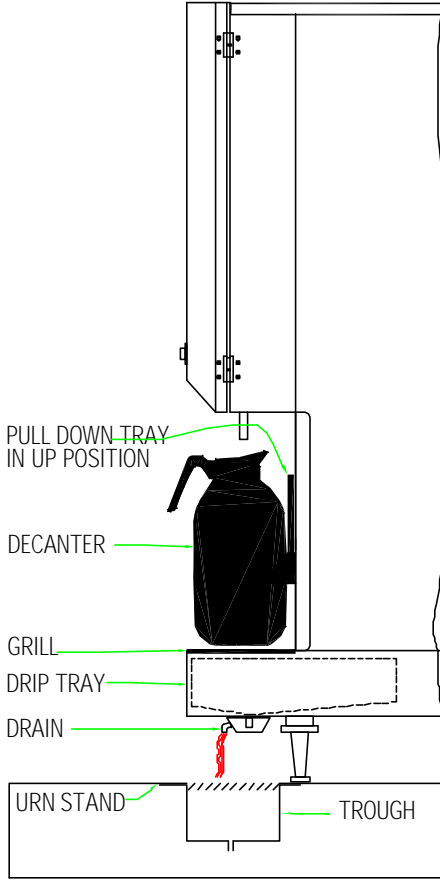
STARTUP PROCEDURE

Caution: Make sure that the Heater Switch, located behind right hopper with door opened, is in the OFF position.

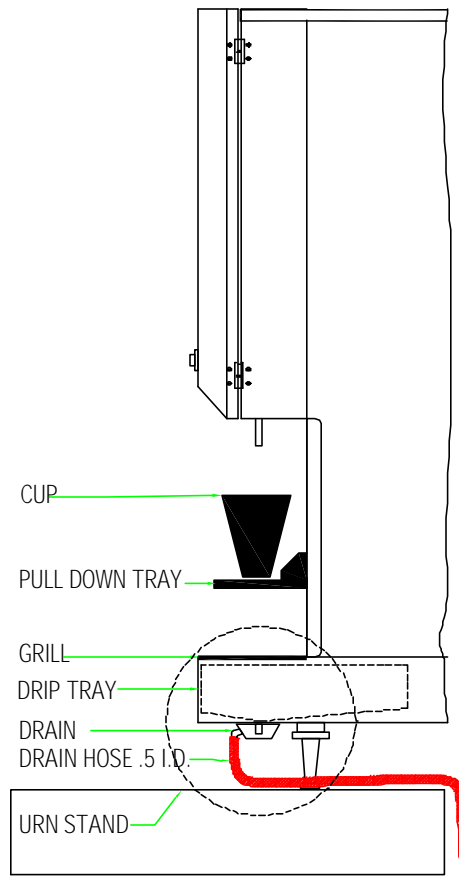
1. JAVA GIANT2/3 (USA & CANADA) - Connect the **3/8" dia** copper waterline to the **3/8" flare** water inlet fitting of the valve.
2. Plug the power cord into a proper receptacle.
3. Activate the **Power Switch** (Toggle Up). The door display panel and the green dispense buttons will light up and the tank will start filling. Allow approximately **4-6** minutes for the tank to fill.
4. Activate the **Heater Switch**. Allow approximately 20-30 minutes for the water to reach a preset temperature of 195°F. The heat up time will depend on the water inlet temperature, the input voltage and the wattage of the elements in the machine.
5. Place decanter under nozzle and press dispense switch. The machine will dispense water at the rate of 4 oz. per second. Repeat it several times for each dispense switch to check for consistent output.
6. While the tank is heating up, remove the hoppers, load them with products and reposition them back in the machine. When the heater light goes OFF, the tank has reached its brew temperature and the machine is ready to dispense Coffee.

DRAIN HOOKUP INSTRUCTIONS

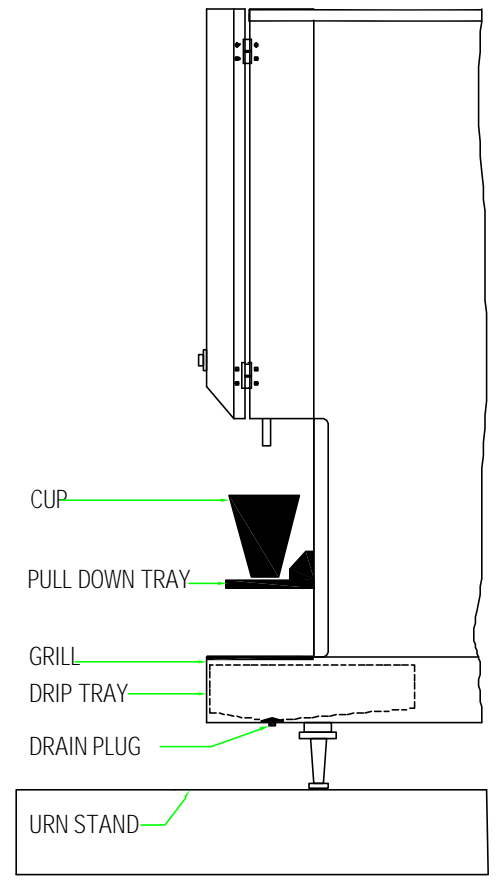
3 OPTIONS DRAIN HOOK-UP FOR JAVA



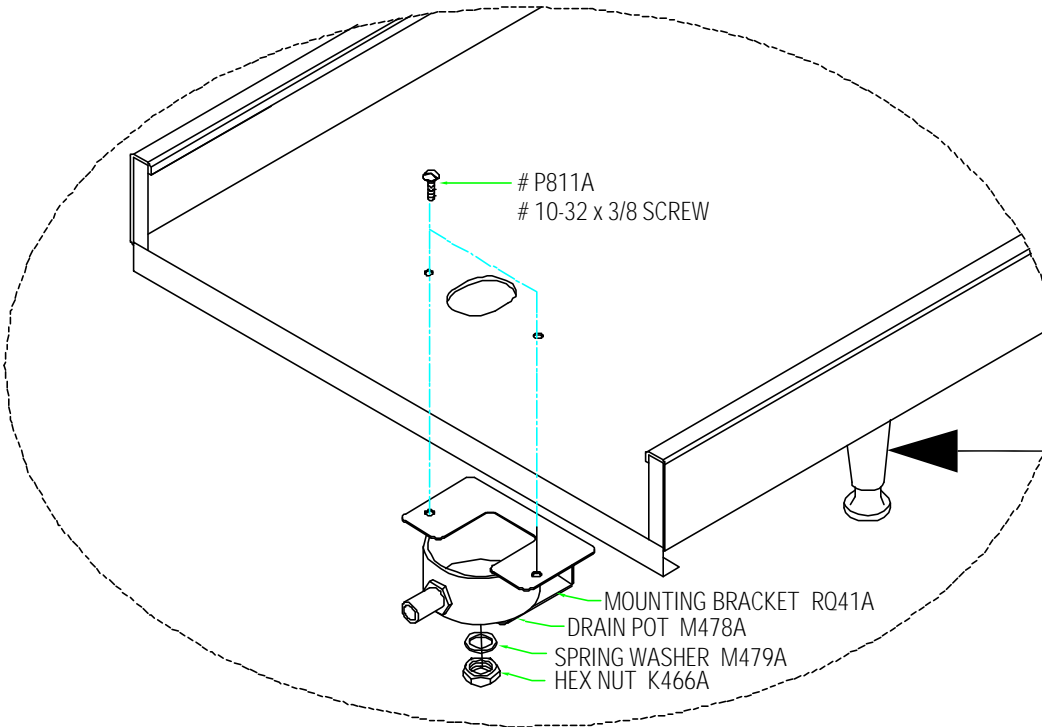
**DRAIN WITH URN STAND
DRAIN TROUGH**



DRAIN WITH HOSE HOOK-UP



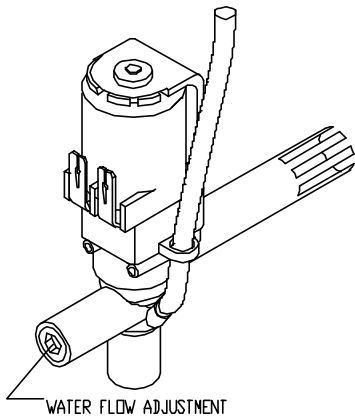
**NO DRAIN HOOK-UP
MUST EMPTY PAN**



**FIRST
INSTALL
4" LEGS
M172A**

ADJUSTMENTS

MODELS:	DISPENSE VALVE:	HOT WATER FLOW RATE:
JAVA GIANT 2 (USA & Canada)	L561A	2 TO 4.5 oz. factory set at 3.8 oz./sec.
JAVA GIANT 3 (USA & Canada)	L561A	2 TO 4.5 oz. factory set at 3.8 oz./sec.



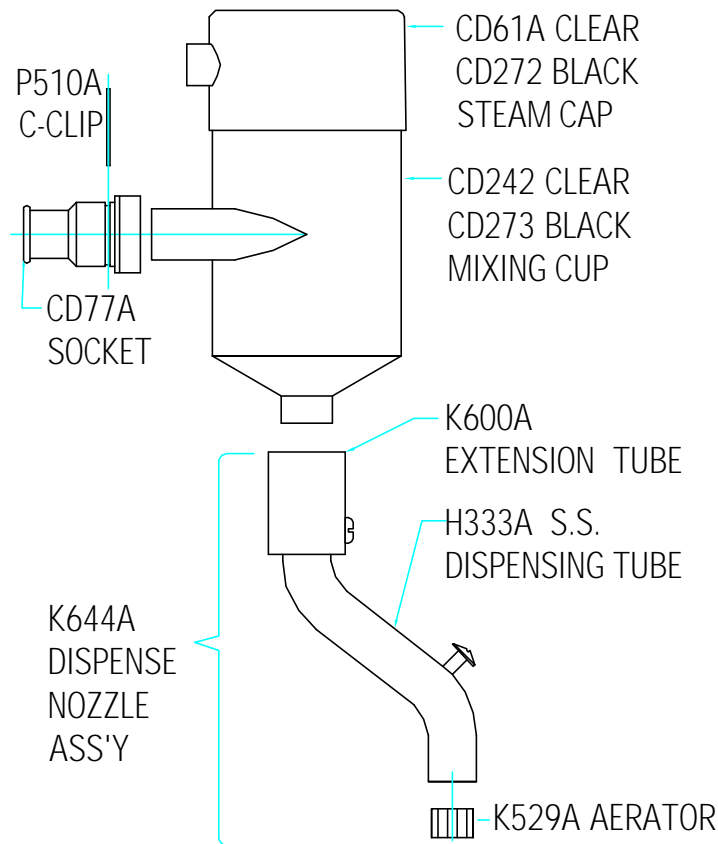
Note: To access the Water Dispense Valves, open door and remove Hoppers.

TO ADJUST HOT WATER FLOW RATE:

1. Open door and remove hoppers. Locate Dispense Valve behind hoppers, mounted on tank.
2. Locate adjustment screw on Dispense Valve.
3. Using Allen Key or flat screwdriver rotate, 1/4 turn at a time, CLOCKWISE to decrease water flow, or COUNTERCLOCKWISE to increase water flow.
4. Check water flow output, after each 1/4 turn.

DISPENSE CUP ASSEMBLY

MIXING CHAMBER ASSEMBLY K6000 JAVA GIANT2/3



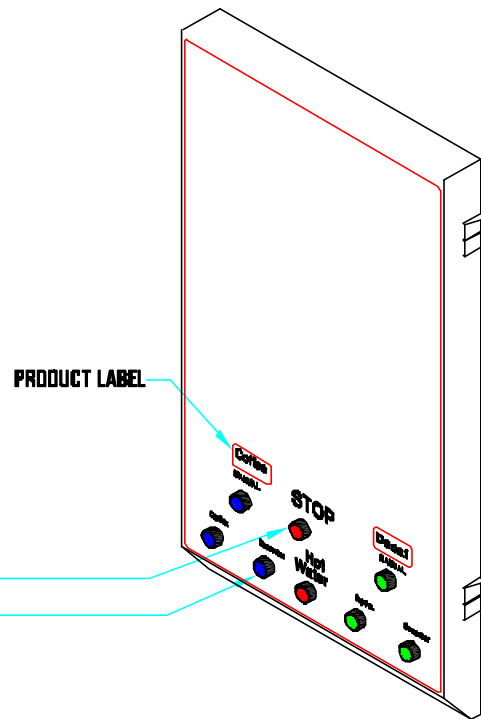
VOLUME AND DRINK SIZE ADJUSTMENTS:

PROGRAMMING INSTRUCTIONS FOR AUTOMATIC DISPENSE

1. Turn Power Switch ON (toggle switch inside door).
2. PRESS and HOLD [red] STOP Button with one hand.
3. PRESS and HOLD [green] DISPENSE Button with other hand.
4. RELEASE [red] STOP Button ONLY.
5. Continue to HOLD [green] DISPENSE Button for 5 SECONDS, then RELEASE.
6. PRESS and RELEASE [green] DISPENSE Button. Product begins dispensing. When it reaches the "DESIRED VOLUME",
7. PRESS and RELEASE [green] DISPENSE Button to SET "DESIRED VOLUME". DISPENSE Button can be "jogged" to top off.
8. PRESS and RELEASE [red] STOP button to LOCK IN "DESIRED VOLUME". Repeat steps 1 to 8 for each Dispense Button.

PROGRAMMING INSTRUCTIONS FOR MANUAL DISPENSE

1. PRESS AND HOLD STOP [red] BUTTON WITH ONE HAND.
2. PRESS AND HOLD DISPENSE [green] BUTTON WITH OTHER HAND.
3. RELEASE STOP [red] BUTTON.
4. CONTINUE TO HOLD [green] DISPENSE BUTTON FOR 5 SECONDS.
5. RELEASE DISPENSE [green] BUTTON.
6. PRESS AND RELEASE STOP [red] BUTTON.



PRODUCT STRENGTH ADJUSTMENTS:

The JAVA units have **variable speed control auger motors** [CD151 with variable speed of 10 to 130 RPM].

The Gram Throw is factory preset between 6 and 7 (1.8 gr./oz.) for the JAVA machines. Drink or product strength can be changed by adjusting the Auger Motor RPM [see knobs on inside door panel].

The water flow rate adjustment for the dispense valve should remain fixed.

Note: The water flow rate should not exceed 1 -1.3 oz./sec.

[see Hot Water Flow Rate Adjustments below].

CLEANING AND SANITIZING:

SANITIZING: All food dispensing units should be sanitized periodically. All parts to be sanitized must be cleaned first.

To prepare a sanitizing solution:

ADD 2 TSP. OF LIQUID CLOROX BLEACH (5.25% CONCENTRATION) TO 1 GALLON OF WATER AT ROOM TEMPERATURE (70° - 90°F).

Soak all parts for a minimum of 3 min. in the sanitizing solution. Note: Always start with a unopened bottle of Clorox Bleach since the solution from an opened bottle has a short life span.

Let all sanitized parts drain and dry naturally. DO NOT WIPE THEM DRY. Before using the sanitized unit (or parts) with food stuffs, rinse all parts thoroughly with water.

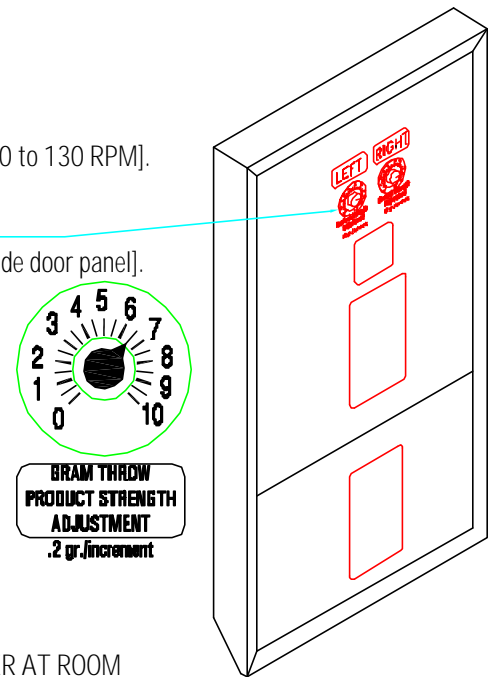
CARE FOR STAINLESS STEEL:

Stainless Steel surfaces that come in contact with food substances, MUST BE CLEANED EVERY DAY.

WHEN CLEANING STAINLESS STEEL, ONLY A pH NEUTRAL CLEANER IS TO BE USED.

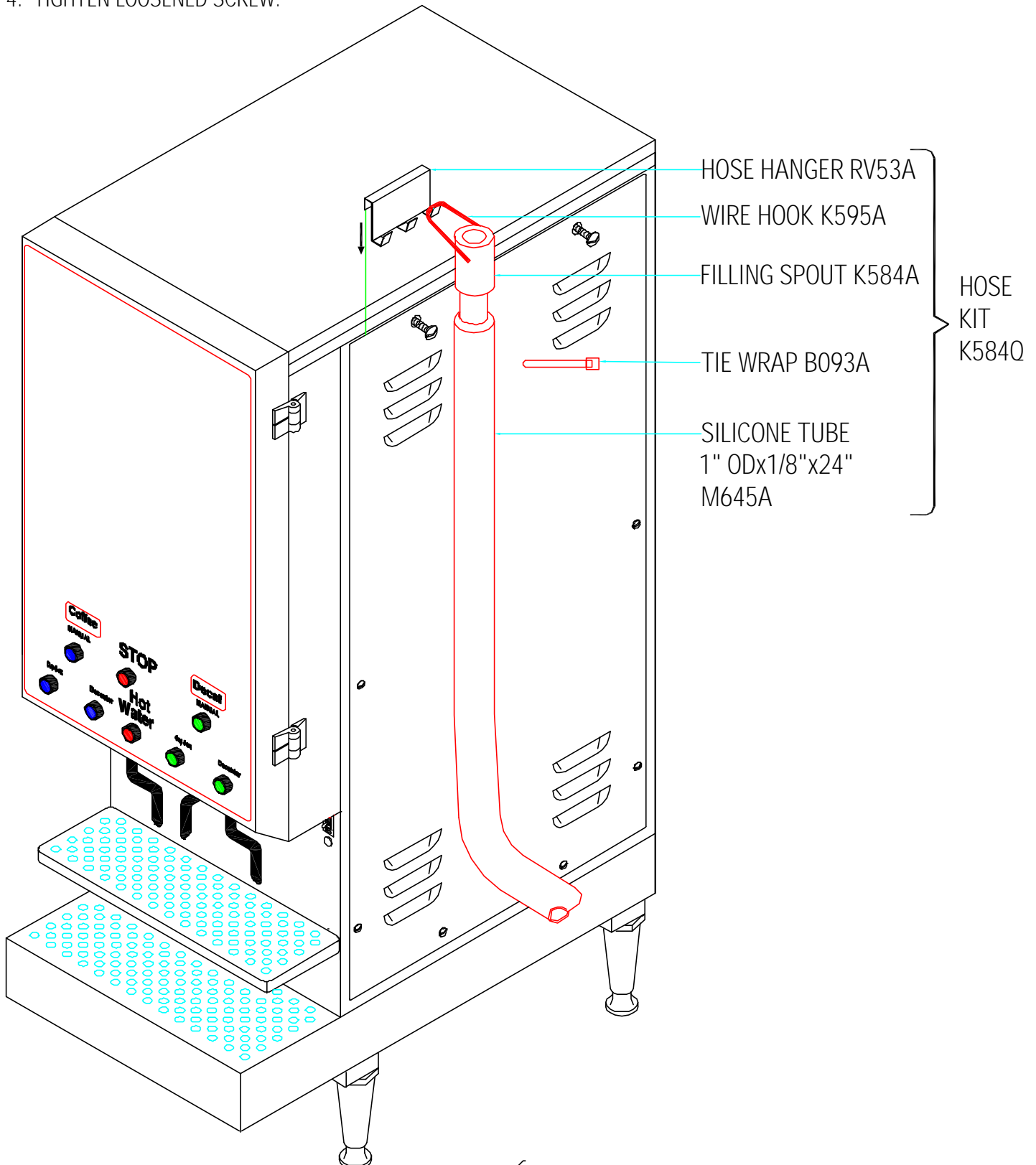
Use nylon or brass brushes (not steel wire brushes) for removing food deposit.

Many food products contain acids,alkalies, or other substances which corrode Stainless Steel.

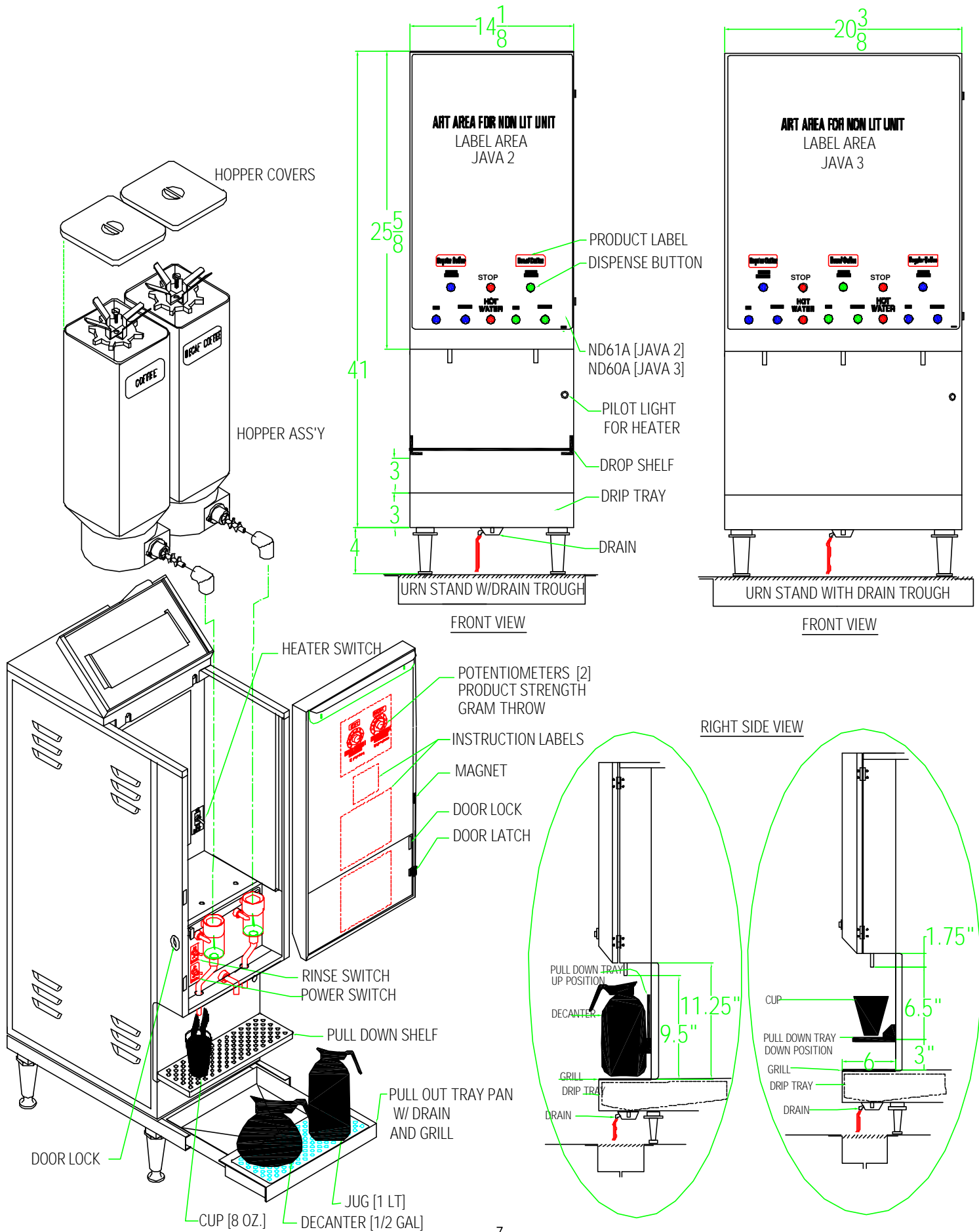


INSTRUCTIONS TO INSTALL HAND UP BRACKET FOR FILLER HOSE

1. LOOSEN THE TWO TOP SCREWS.
2. PULL OUT RIGHT SIDE PANEL, ABOUT 1/2" BY THE LOUVERS.
3. SLIDE IN HOSE HANGER, AS SHOWN.
4. TIGHTEN LOOSENED SCREW.

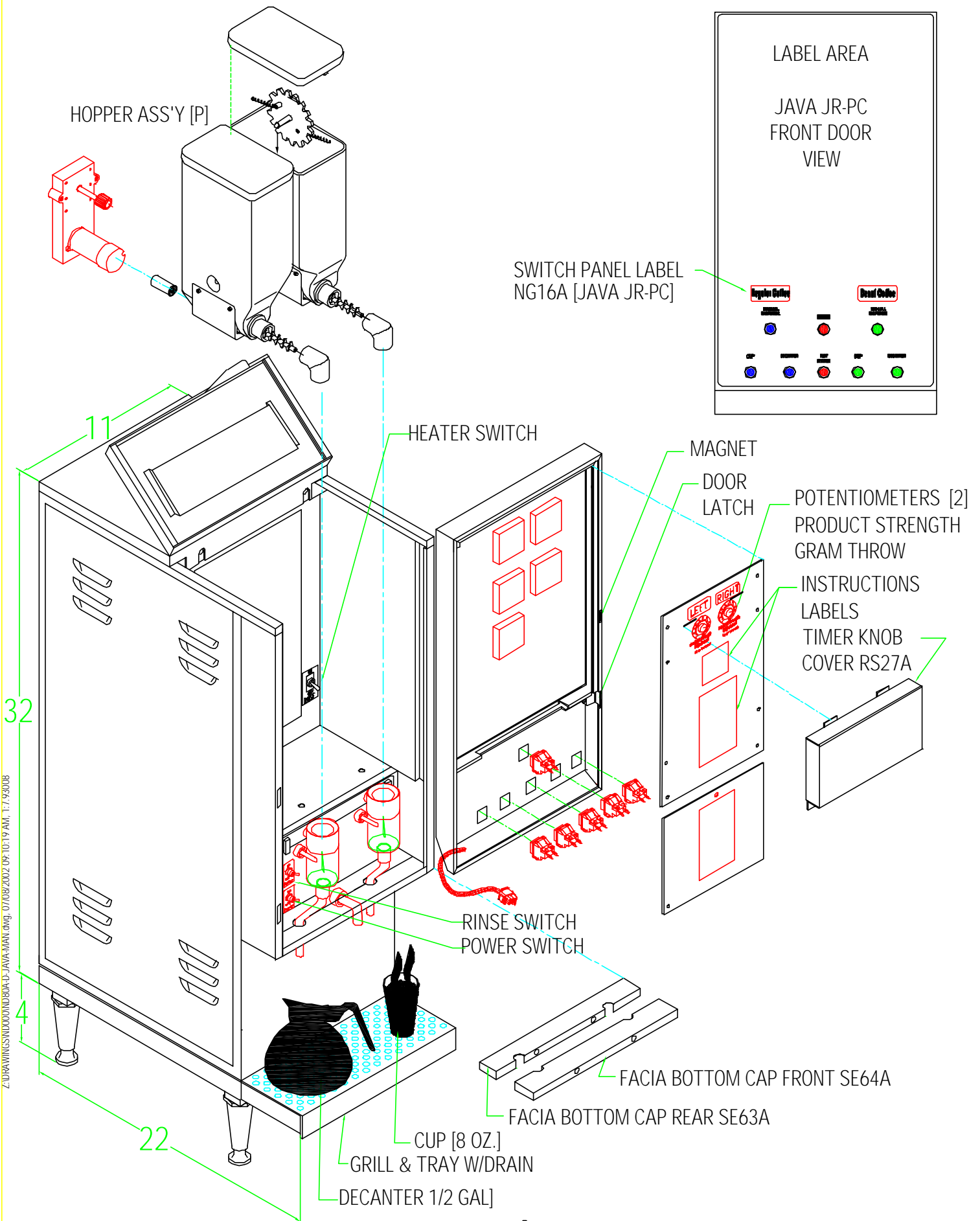


DESCRIPTION AND LOCATION OF COMPONENTS JAVA GIANT 2/3



Z:\DRAWINGS\IND000\IND00A.D\JAVA.MAN.dwg, 07/08/2002 09:10:05 AM, 1:10:33:46

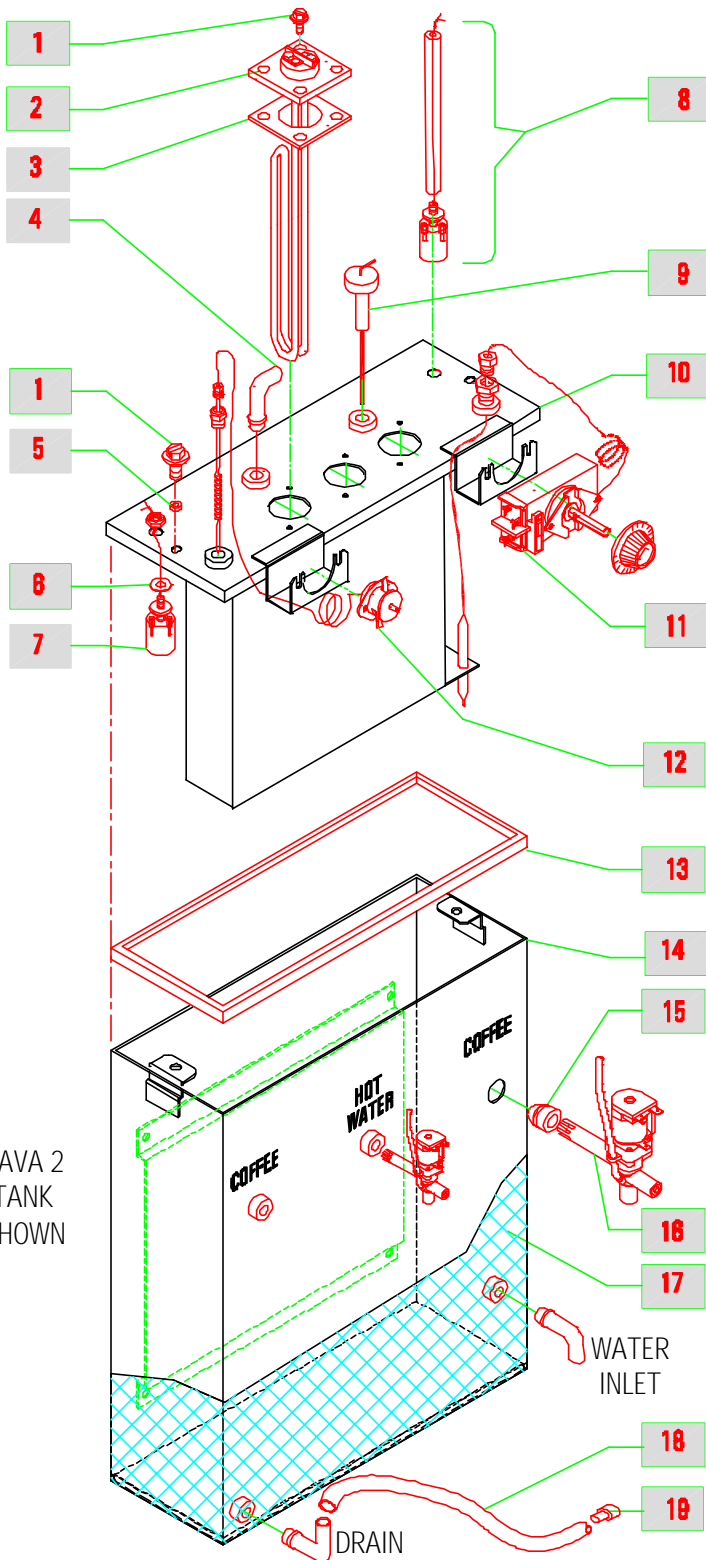
DESCRIPTION AND LOCATION OF COMPONENTS JAVA JR - PC (CANADA)



JAVA GIANT 2/3 TANK ASSEMBLY

ITEM	SPARE PARTS	DESCRIPTION	P/N JAVA 2 / 3	QTY 2/3
1		SCREW, S.S., 1/4 - 20 x 5/8	P465A	7
2	√	HEATER-JAVA2 [208V AC, 5KW-G289A] [230V AC, 5KW-G287A]	G289A/G287A	3
		HEATER-JAVA3 [208V AC, 6KW-G300A] [230V AC, 6KW-G281A]	G300A/G281A	3
3	√	GASKET, TANK HEATER	M502A	3
4	√	ELBOW TUBE-BREATH, WATER INLET, DRAIN	K525A	3
5	√	RUBBER GASKET, FOR SCREW (ITEM 1 P446A)	M533A	2
6	√	RUBBER GASKET, FOR FLOAT SWITCH	M532A	1
7		HIGH LEVEL FLOAT SWITCH 70.V.A	L499A	1
8	√	LOW LEVEL FLOAT SW. (LONG TUBE+FLOAT SWITCH)	L591A	1
9	√	LEVEL CONTROL SENSOR [K402A & P410A]	K355Q	1
10		TANK TOP JAVA 2 / JAVA 3	RN160/R052Q	1
11	√	THERMOSTAT (120V)	L002A	1
12	√	HI-LIMIT	L531A	1
13	√	GASKET, SILICONE BUTT SPLICED	M607A/M608A	1
14		TANK WELDMENT ASS'Y JAVA 2 / JAVA 3	RN210/R051Q	1
15	√	GROMMET .593 ID (COFFEE) JAVA 2 / JAVA 3	M462A	2 / 3
		GROMMET .466 ID (WATER) JAVA 2 / JAVA 3	M461A	2 / 3
16	√	DISPENSE VALVE [COFFEE] JAVA 2 / JAVA 3	L561A	2 / 3
		DISPENSE VALVE [HOT WATER] JAVA 2 / JAVA 3	L467A	1 / 2
17		TANK INSULATION JAVA 2 / JAVA 3	M630A/M631A	1
18	√	DRAIN HOSE, SILICONE .375 I.D. [ROLL]	M326A	1
19	√	DRAIN PLUG	M391A	1

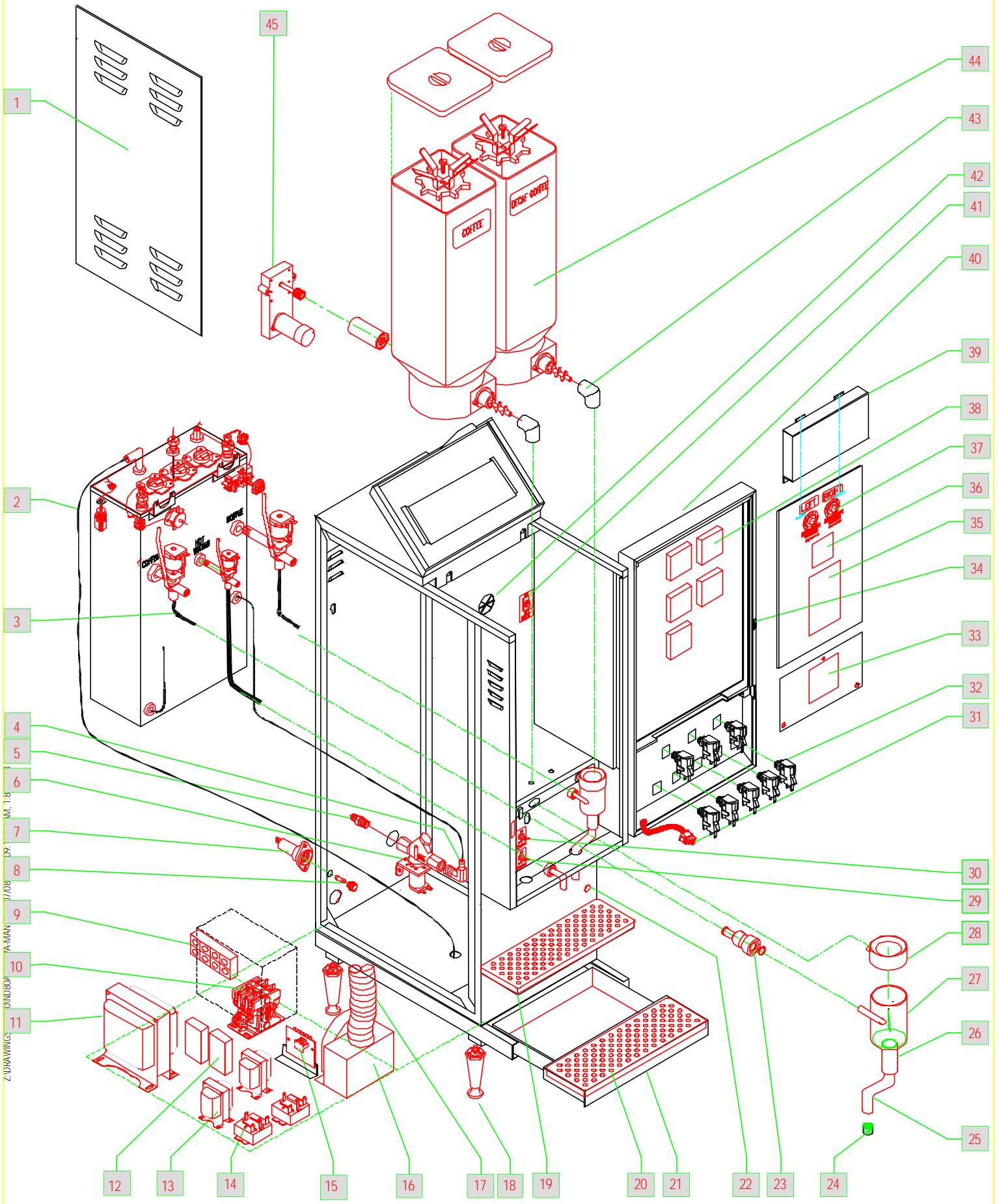
√ - RECOMMENDED SPARE PARTS



JAVA 2
TANK
SHOWN

JAVA GIANT 2 & 3 DESCRIPTION AND LOCATION OF COMPONENTS

JAVA 2 SHOWN

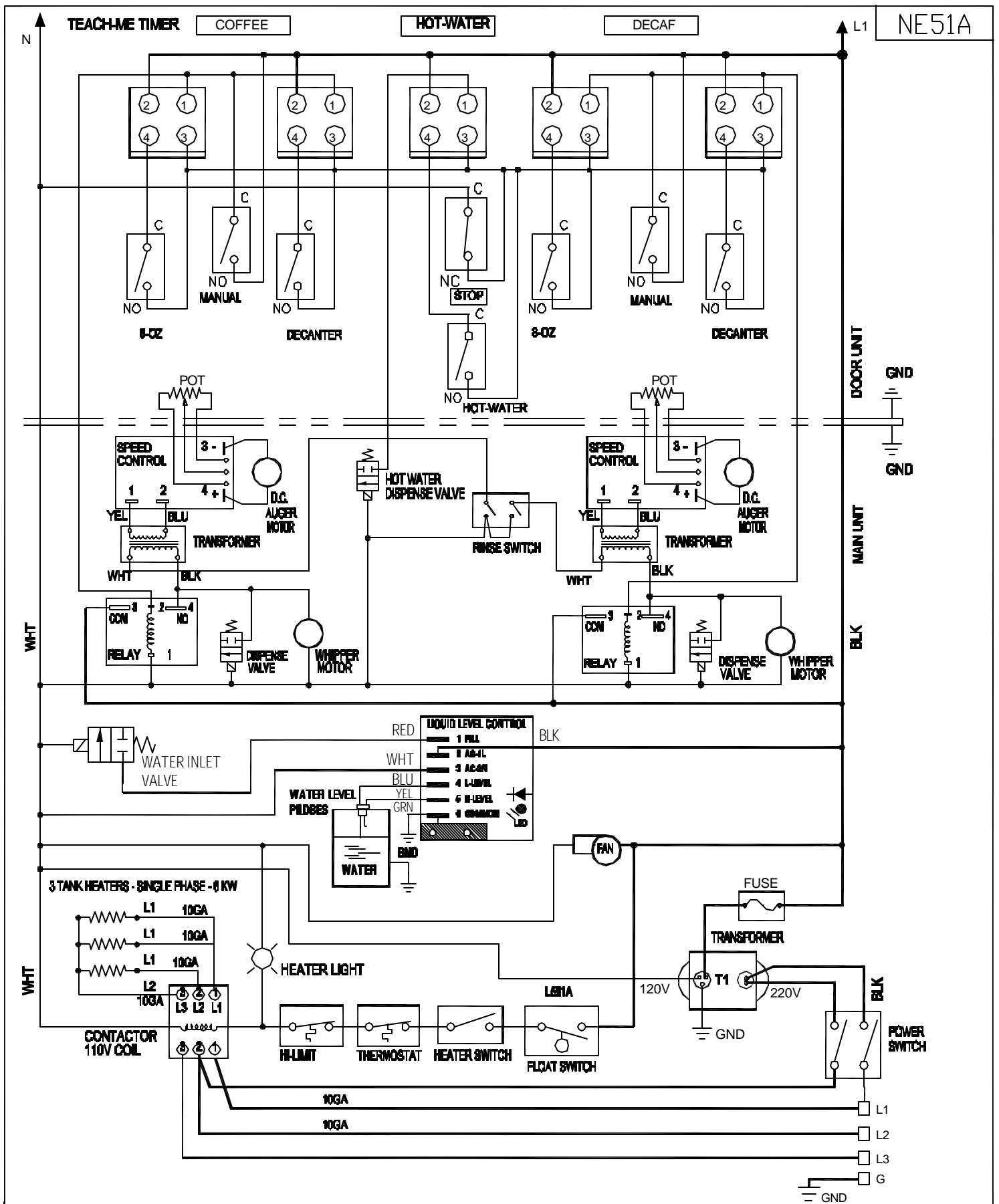


ZADRAWNIKI
ANDRZEJ
05
0708
13

JAVA GIANT 2 & 3 PART NUMBERS

	PART NO. JAVA 2	PART NO. JAVA 3	QTY	DESCRIPTION
1	RN33A	RR70A/RR71A	1	SIDE PANEL[S] LEFT / RIGHT
2	M326A	M326A	1	SILICONE HOSE [BREATHER FITTING TO DRAIN] [OD 1/2 x 3/8 ID X 40"]
	M326A	M326A	1	SILICONE HOSE [SOLENOID INLET VALVE TO TANK] [OD 1/2 x 3/8 ID X 16"]
3	M325A	M325A	2/3	SILICONE HOSE [DISPENSE VALVE to HOT WATER NOZZLE] [OD 3/4 x1/2 ID X 17"]
	M325A	M325A	1/2	SILICONE HOSE [DISPENSE VALVE to DISPENSE CHAMBER] [OD 3/4 x1/2 ID X 14"]
4	K270A	K270A	1	ELBOW FITTING / HOSE BARB [3/8NPT]x1/2 FITTING x 3/8 HOSE BARB
5	A4256	A4256	1	FITTING, WATER INLET , 3/8 FLARE X 3/8 NPT FTG-R90/55 [BRASS]
6	L022A	L022A	1	WATER INLET VALVE/SOLENOID [L462A USE AFTER REMOVING WASHER]
7	C396A	C396A	1	FUSE HOLDER 120/240 V
8	C395A	C395A	1	FUSE [BUSSMAN SC15 120/240V ONLY 6 AMP]
9	B157A	B157A	1	TERMINAL BLOCK [120V]
10	CG12A	CG12A	1	CONTACTOR [120V SINGLE PHASE] [SQ. "D"]
11	CE187	CE187	1	TRANSFORMER LARGE- 240/120V
12	L556A	L556A	2/3	SPEED CONTROL BOARD [USE W/POT. L557A] [WAS L552A]
13	CF29A	CF29A	2/3	TRANSFORMERS
14	B129A	B129A	2/3	RELAYS [use w/ Teach Me Timers]
15	L398A	L398A	1	WATER LEVEL CONTROL CCA
16	CD224	CD224	1/2	FAN [110-115V AC, 60HZ, 110 cu in/hr]
17	CG14A	CG14A	2	FAN DUCT HOSE
18	M172S	M172S	1	4" LEGS & 1" FEET M042A [SET OF 4] [SUPPLY BOTH]
19	R064A	-----	1	SHELF [JAVA GIANT 2 ONLY]
20	R078A	RW41A	1	GRILL
21	R016A	RW40A	1	METAL TRAY PAN
22	C165A	C165A	1	HEATER LIGHT - RED
23	CD77A	CD77A	2/3	SOCKET FOR JAVA
24	K529A	K529A	2/3	AERATOR
25	H333A	H333A	2/3	S.S. EXTENSION TUBE NOZZLE W/ HOOK
26	K600A	K600A	2/3	SILICONE EXTENSION
27	CD242	CD242	2/3	MIXING CUP F/COFFEE
28	CD61A	CD61A	2/3	STEAM CUP [DISPENSE CAP]
29	L299A	L446A	1	RINSE SWITCH, DOUBLE POLE JAVA 2; TRIPPLE POLE JAVA 3
30	L069A	L069A	1	POWER SWITCH SINGLE [L229A FOR 120/240V]
31	CG36A	CG37A	1	DOOR HARNESS ASS'Y [WAS CF19A]
	CG90A	CG91A	1	CABINET HARNESS
32	L584A	L584A	8/13	DISPENSE PUSH SWITCH - (COMES W/ RED BUTTON)
	M877A	M877A	3/6	GREEN BUTTON
	M876A	M876A	3	BLUE BUTTON
	SJ48A	SJ48A	8/13	BACKUP WASHER FOR PUSH SWITCH
33	NF17A	NF17A	1	START-UP PROCEDURE
34	M367A	M367A	1	DOOR LATCH
35	NF25A	NF25A	1	CLEANING AND SANITIZING INSTRUCTIONS
36	NF58A	NF58A	1	PROGRAMMING INSTRUCTIONS FOR TEACH ME TIMER
27	L557A	L557A	2/3	POTENTIOMETER, [USE W/SPEED CONTROL BD]
38	L576A	L576A	4/8	TIMER "TEACH ME" PROGRAMMABLE SINGLE OR TRIPPLE L582A [1]
39	RS27A	RS27A	1	TIMER KNOBS COVER
40	RN61Q	RO90Q	1	DOOR WELDMENT ASS'Y
41	L069A	L069A	1	HEATER SWITCH, SINGLE POLE
42	B176A	B176A	1	FAN BEHIND HOPPERS
43	CD70A	CD70A	2/3	PRODUCT GUIDE - STRAIGHT [CD234/CD246 LEFT / RIGHT]
44	CD105	CD105	2/3	HOPPER ASS'Y W/NYLON AUGER [SQ-14 LB, 18"]
45	CD151	CD151	2/3	AUGER MOTOR 24V DC

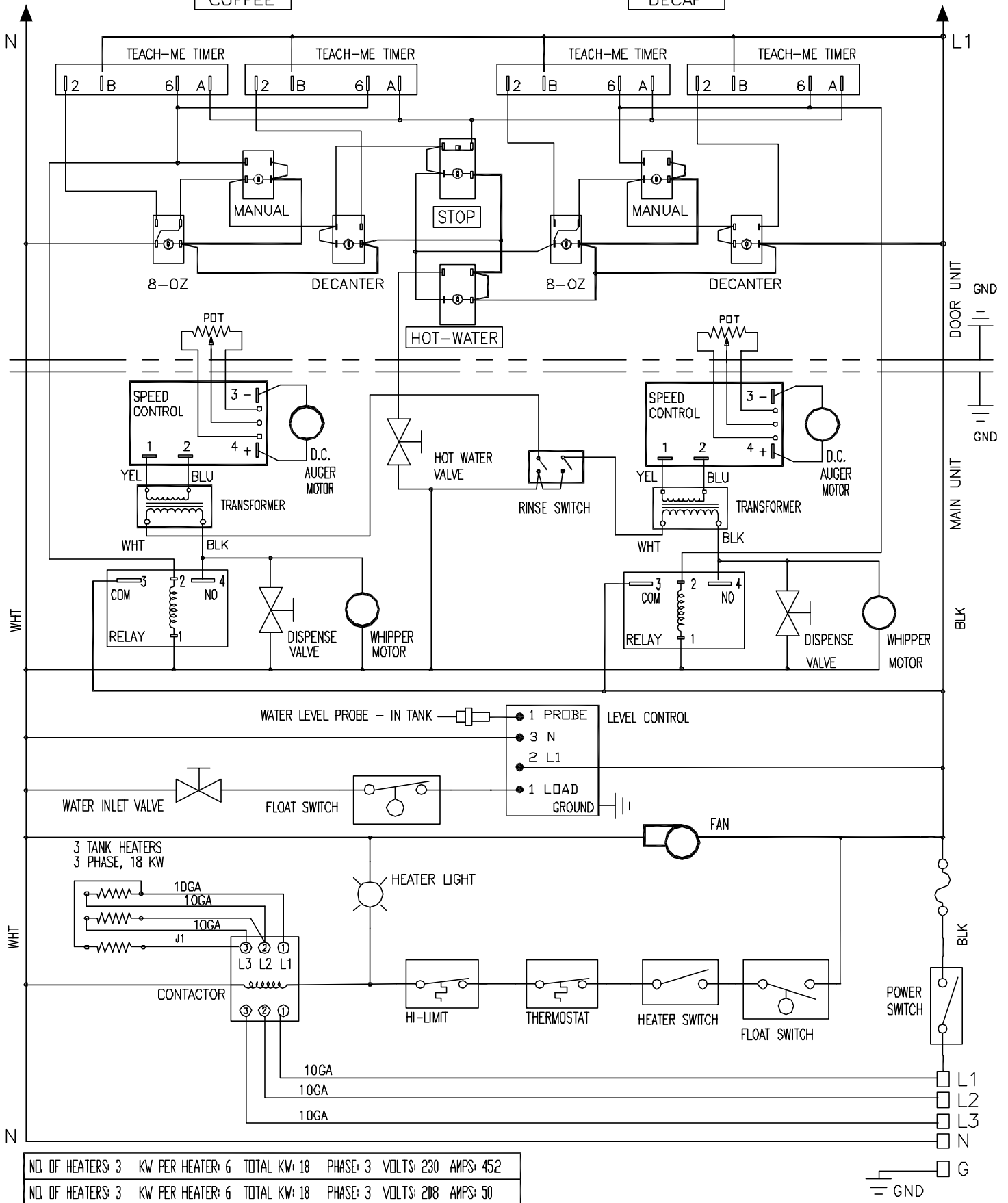
Z:\DRAWINGS\IND000\IND00A.D\JAVA\MAIN.dwg, 07/08/2002 09:11:17 AM, 18, 12598



F	M.M.	11/5/2002	UPDATED	APP'D BY	DATE	PART NO	NE51A
REV	BY	DATE	DESCRIPTION	DRAWN BY	DATE	SCALE	1 : 1
CECILWARE CORPORATION 43-05 20 AVE. L.I.C. NY 11105							NE51A
TITLE: ELECTRICAL DIAGRAM, (JAVA GIANT 2) [SINGLE PHASE W/TEACH ME TIMERS] 240 V.AC							REV. F

COFFEE

DECAF



NO. OF HEATERS: 3 KW PER HEATER: 6 TOTAL KW: 18 PHASE: 3 VOLTS: 230 AMPS: 452
 NO. OF HEATERS: 3 KW PER HEATER: 6 TOTAL KW: 18 PHASE: 3 VOLTS: 208 AMPS: 50

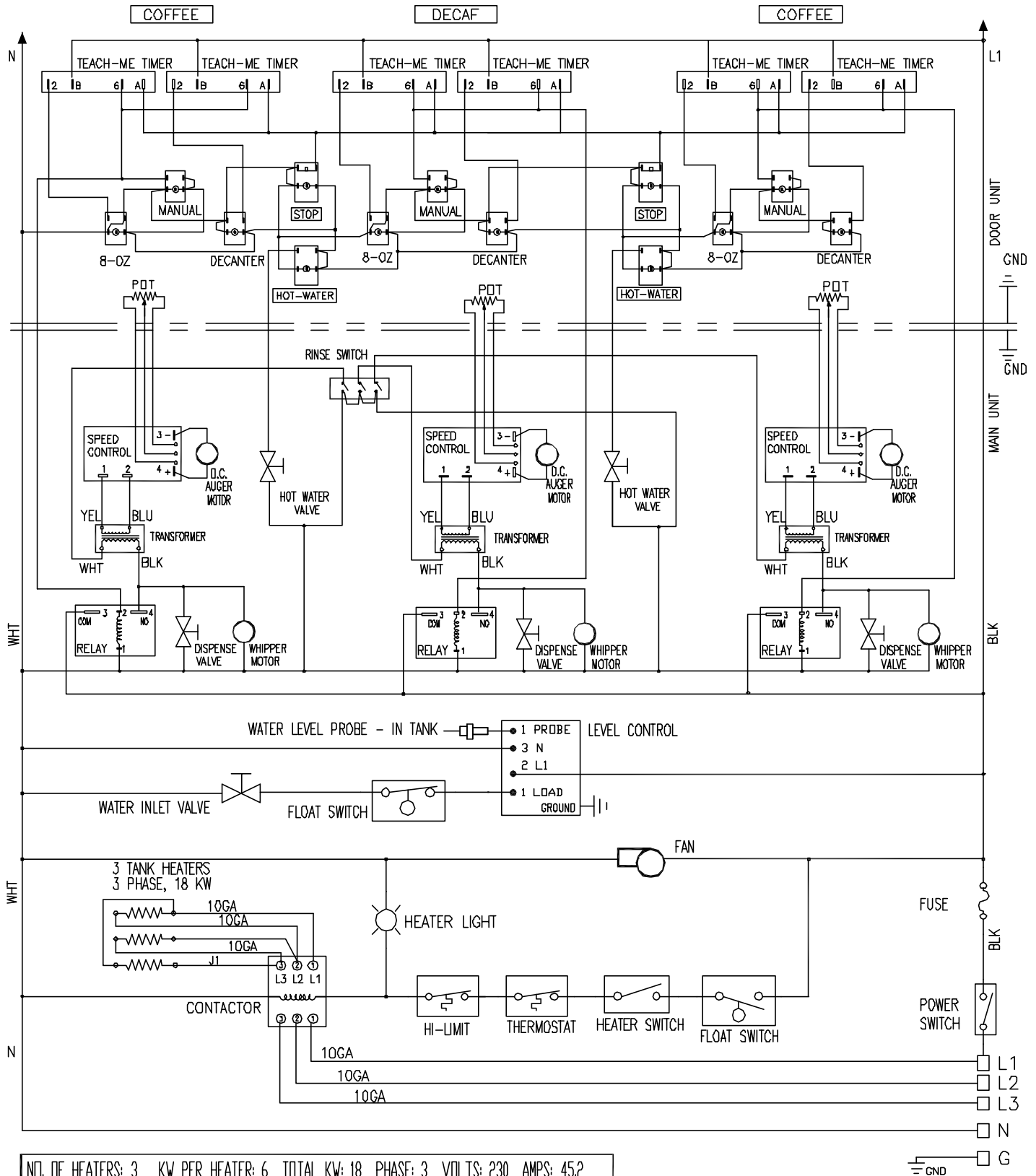
Z:\DRAWING\NE52A.DWG, 07/18/2007 09:29:34 AM, T:\01986411.DWG

A	C.G.	12/24/97	UPDATED SPEED CONTROL BOARD TO L556A WITH POT IN THE DOOR;	APP'D BY	DATE	PART NO NE52A
REV	BY	DATE	DESCRIPTION	DRAWN BY C.G.	DATE 10/17/97	SCALE 1 : 1

CECILWARE CORPORATION 43-05 20 AVE. L.I.C. NY 11105

TITLE: ELECTRICAL DIAGRAM, (JAVA 2) 3 PHASE, W/TEACH ME TIMERS REV. A

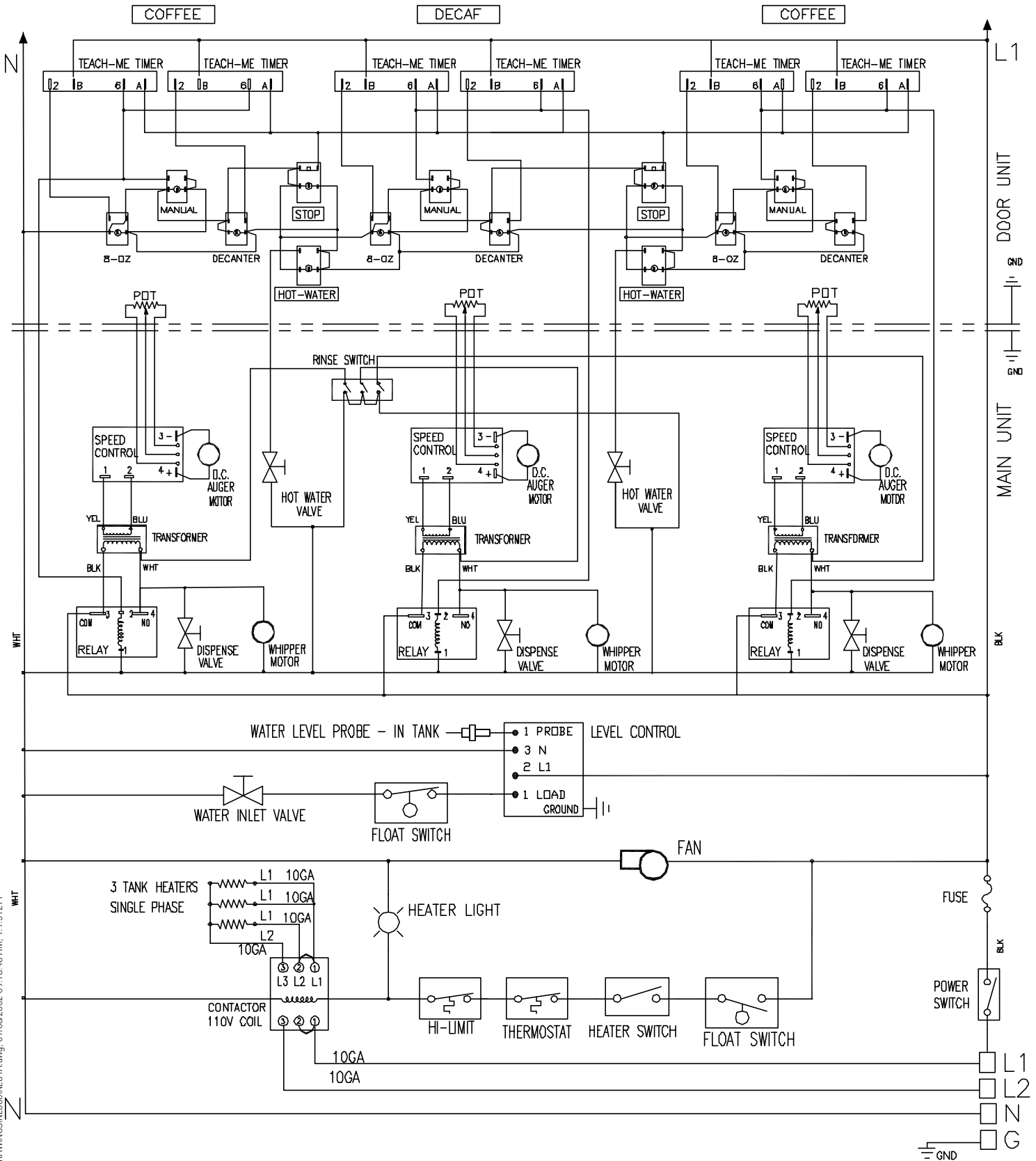
NE52A



NO. OF HEATERS: 3 KW PER HEATER: 6 TOTAL KW: 18 PHASE: 3 VOLTS: 230 AMPS: 45.2
 NO. OF HEATERS: 3 KW PER HEATER: 6 TOTAL KW: 18 PHASE: 3 VOLTS: 208 AMPS: 50

Z:\DRAWINGS\NE60A.DWG - 07/08/2002 09:18:10:40:AW: 1:0:963282

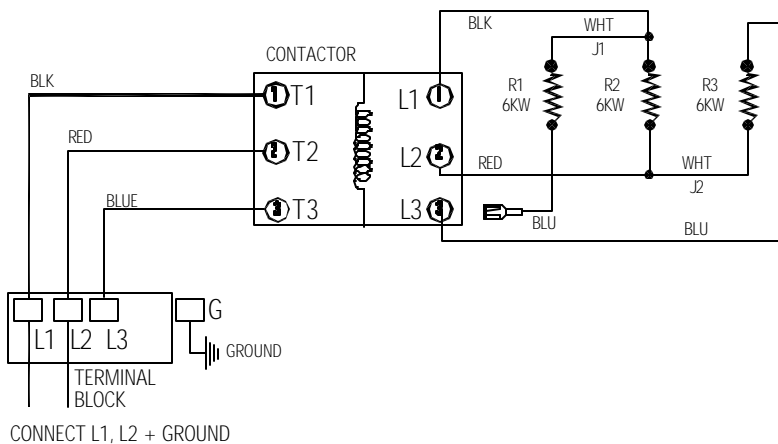
A	G.V.	3/13/98	REVISED TRANSFORMER CONNECTIONS	APP'D BY	DATE	PART NO NE60A
REV	BY	DATE	DESCRIPTION	DRAWN BY C.G.	DATE 12/24/97	SCALE 1 : 1
<h1 style="text-align: center;">CECILWARE CORPORATION</h1> <p style="text-align: center;">43-05 20 AVE. L.I.C. NY 11105</p>						NE60A
TITLE: ELECTRICAL DIAGRAM, (JAVA 3) 3 PHASE, W/TEACH ME TIMERS						REV. A



NO. OF HEATERS: 3 KW PER HEATER: 6 TOTAL KW: 18 PHASE: SINGLE; VOLTS: 230 AMPS: 78
 NO. OF HEATERS: 3 KW PER HEATER: 6 TOTAL KW: 18 PHASE: SINGLE; VOLTS: 203 AMPS: 88.7

REV	BY	DATE	DESCRIPTION	APP'D BY	DATE	PART NO	NE61A
				DRAWN BY C.G.	DATE 12/24/97	SCALE	1 : 1
<p>CECILWARE CORPORATION 43-05 20 AVE. L.I.C. NY 11105</p>							NE61A
<p>TITLE: ELECTRICAL DIAGRAM, (JAVA 3) SINGLE PHASE, W/TEACH ME TIMERS</p>							REV. -

[CHECK MARK INDICATES WIRING OF UNIT]



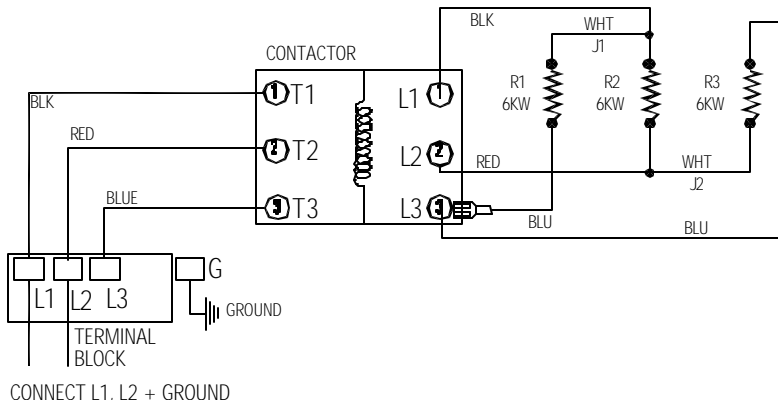
230V, 6KW, 1 PHASE, 26 AMPS

REQUIRES: L1, L2, GRD

30 AMP CIRCUIT BREAKER

BLUE WIRE W/ PUSH ON TERMINAL IS NOT CONNECTED TO CONTACTOR "L3"

SUPPLIED WITH NEMA 6-30P PLUG
REQUIRES 6-30 RECEPTACLE



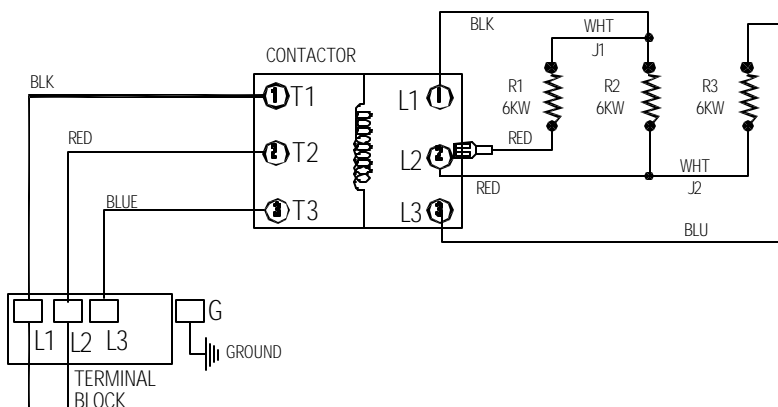
230V, 9KW, 1 PHASE, 39 AMPS

REQUIRES: L1, L2, GRD

40 AMP CIRCUIT BREAKER

BLUE WIRE W/ PUSH ON TERMINAL IS CONNECTED TO CONTACTOR "L3"

HARDWIRED



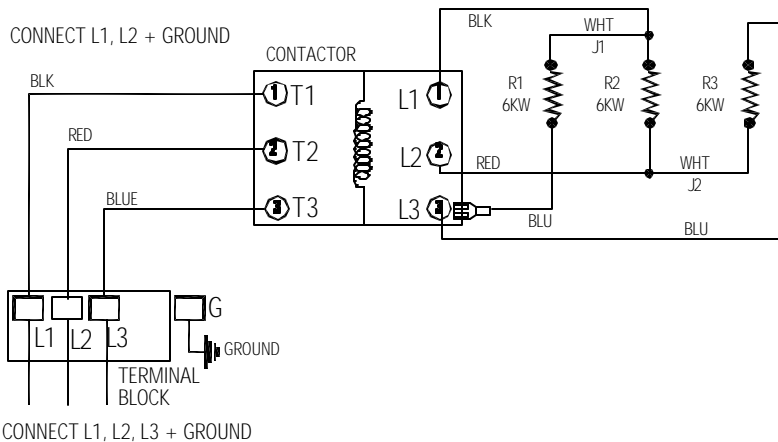
230V, 12KW, 1 PHASE, 50 AMPS

REQUIRES: L1, L2, GRD

60 AMP CIRCUIT BREAKER

BLUE WIRE W/ PUSH ON TERMINAL IS CONNECTED TO CONTACTOR "L2"

HARDWIRED



230V, 18KW, 3 PHASE, 45 AMPS

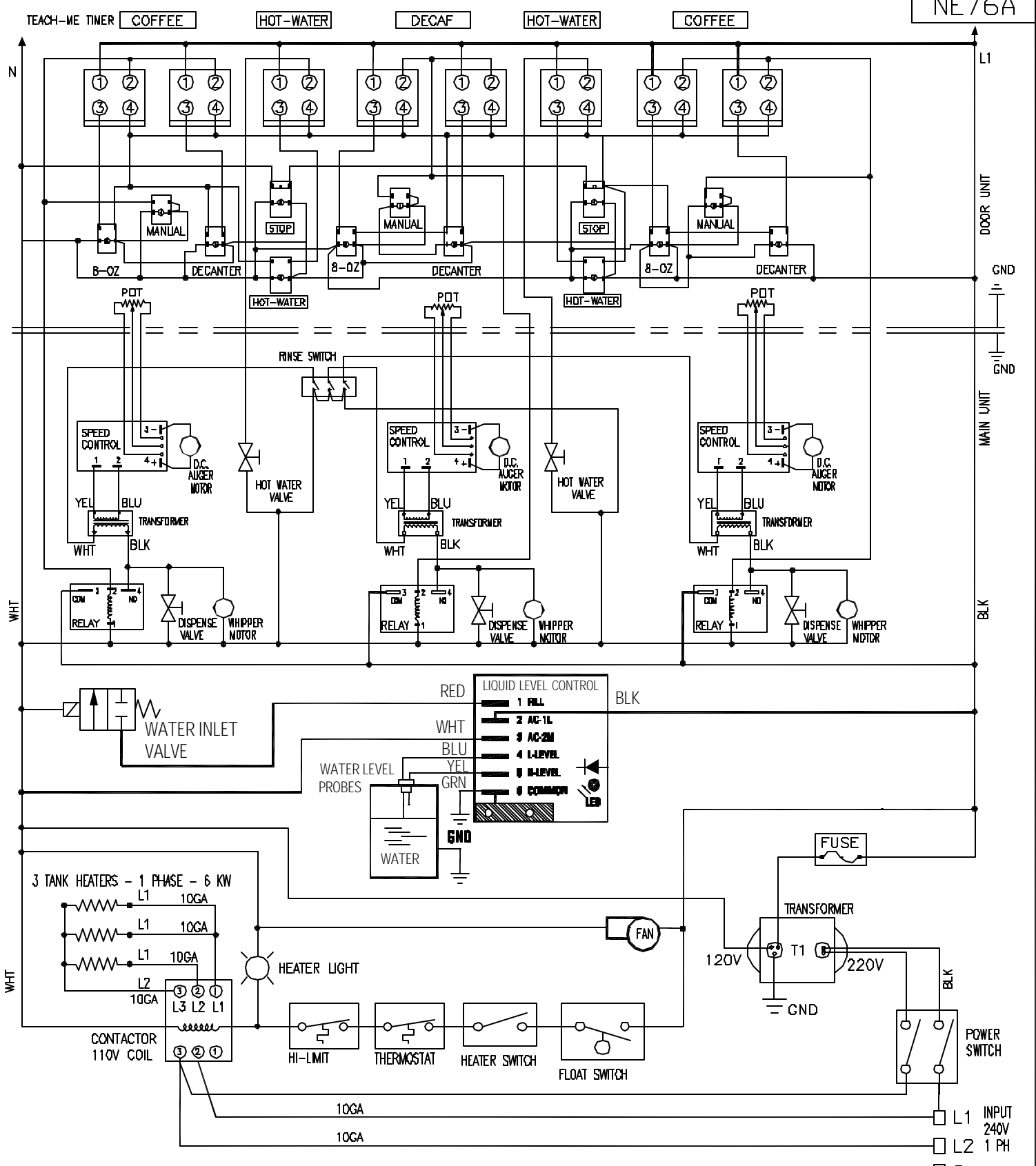
REQUIRES: L1, L2, L3, GRD

50 AMP CIRCUIT BREAKER

BLUE WIRE W/ PUSH ON TERMINAL IS CONNECTED TO CONTACTOR "L3"

HARDWIRED

REV	BY	DATE	DESCRIPTION	APP'D BY	DATE	PART NO	NE73A
				DRAWN BY C.G.	DATE 3/24/99	SCALE	-
<p>CECILWARE CORPORATION 43-05 20 AVE. L.I.C. NY 11105</p>							<p>NE73A</p>
<p>TITLE: JAVA GIANT HEATER/POWER WIRING DIAGRAM 230V</p>							
							REV. E



NO. OF HEATERS: 3	KW PER HEATER: 6	TOTAL KW: 18	PHASE: 3	VOLTS: 230	AMPS: 45.2
NO. OF HEATERS: 3	KW PER HEATER: 6	TOTAL KW: 18	PHASE: 3	VOLTS: 208	AMPS: 50

A	MM	1/4/02	REDESIGNED	APP'D BY	DATE	PART NO	NE76A
REV	BY	DATE	DESCRIPTION	DRAWN BY	DATE	SCALE	1 : 1
<p>CECILWARE CORPORATION 43-05 20 AVE. L.I.C. NY 11105</p>							NE76A
<p>TITLE: ELECTRICAL DIAGRAM, (JAVA GIANT 3) 3 PHASE, W/TEACH ME TIMERS, 240V.A.C.</p>							REV. B